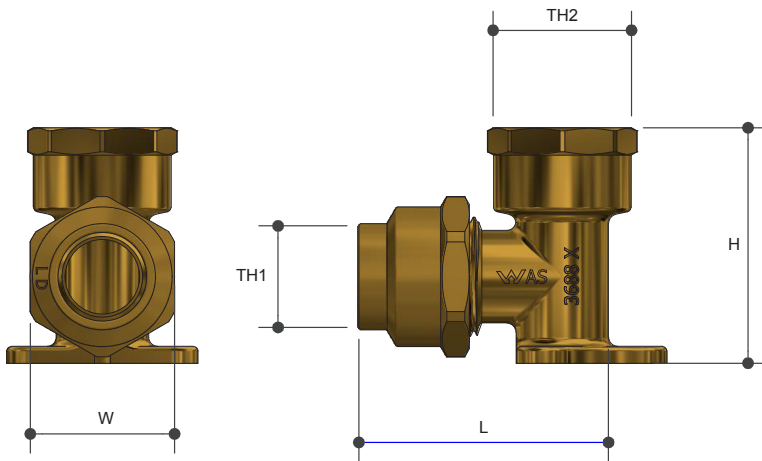


# FLARED COMPRESSION

Elbow FI X C Lugged

Product Specifications



## Specifications

Maximum working temperature 1°C to 95°C

Maximum pressure rating 1600kPa

## Features

Watermark approved

Brass and chrome finish

Tested and certified to AS 3688

## Sizing Chart (MM)

	L	H	W	TH1	TH2
AW305	45	49	25	15C	Rp 1/2"
AW306*	45	49	25	15C	Rp 1/2"
AW309	55	52	32	20C	Rp 3/4"

\* Chrome Plated

## Material Chart

Part	Material
Elbow	DR Brass
Compression Nut	DR Brass

For more information on Metforge, contact:

Austworld 15 Activity Crescent, Molendinar, Queensland 4214 Australia

P. 1300 780 430

F. 1300 780 441

E. [info@austworld.com.au](mailto:info@austworld.com.au)

Austworld Pty Ltd. All rights reserved 2018. Austworld and Metforge are registered trade mark belonging to Austworld Pty Ltd.

