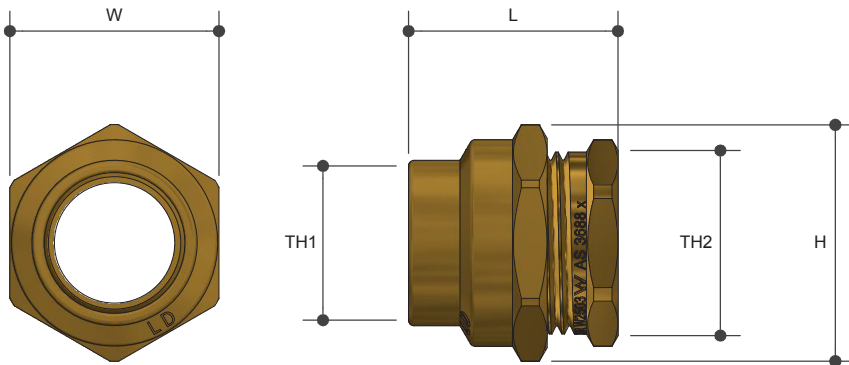


# FLARED COMPRESSION

Union C X C

Product Specifications

Metforge®  
brassware



## Specifications

Maximum working temperature 1 °C to 95 °C

Maximum pressure rating 1600kPa

## Features

Watermark approved

Brass and chrome finish

Tested and certified to AS 3688

## Sizing Chart (MM)

	L	H	W	TH1	TH2
AW739	30	28	25	15C	15C
AW740*	30	28	25	15C	15C
AW741	38	35	32	20C	20C
AW742*	38	35	32	20C	20C
AW743	38	43	38	25C	25C

\* Chrome Plated

## Material Chart

Part	Material
Olive	DR Brass
Compression Nut	DR Brass

For more information on Metforge, contact:  
Austworld 15 Activity Crescent, Molendinar, Queensland 4214 Australia  
P. 1300 780 430 F. 1300 780 441 E. info@austworld.com.au

Austworld Pty Ltd. All rights reserved 2018. Austworld and Metforge are registered trade mark belonging to Austworld Pty Ltd.

**AW**  
AUSTWORLD