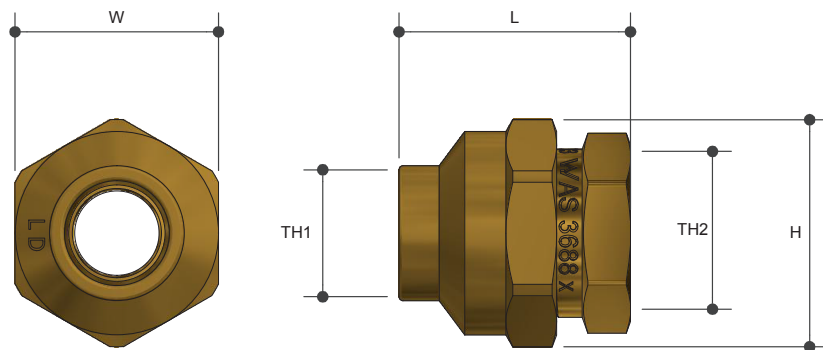


# FLARED COMPRESSION

Union C X C Reducing

Product Specifications

Metforge®  
b r a s s w a r e



## Specifications

Maximum working temperature 1°C to 95°C

Maximum pressure rating 1600kPa

## Sizing Chart (MM)

	L	H	W	TH1	TH2
AW756	36	35	32	20C	15C
AW759	30	28	35	25C	20C

## Features

Watermark approved

DR Brass

Tested and certified to AS 3688

## Material Chart

Part	Material
Union	DR Brass
Compression Nut	DR Brass

For more information on Metforge, contact:

Austworld 15 Activity Crescent, Molendinar, Queensland 4214 Australia

P. 1300 780 430

F. 1300 780 441

E. [info@austworld.com.au](mailto:info@austworld.com.au)

Austworld Pty Ltd. All rights reserved 2018. Austworld and Metforge are registered trade mark belonging to Austworld Pty Ltd.

**AW**  
AUSTWORLD